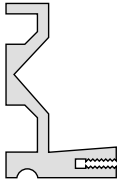


# SPLASHBACK



**BB**  
**BUSHBOARD**

# HOW DOES IT WORK?



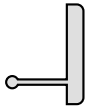
## Wall Fixing Channel -

Supplied with every Splashback panel. This plastic section would typically surround the panel on all edges to receive one of the aluminium finishing trims shown below

**Aluminium finishing trims** - push fix into Wall Fixing Channel to hold panel in place

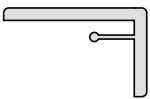
- Satin anodised finish
- 3030mm lengths
- Supplied individually in polybags

## 1 Universal trim -



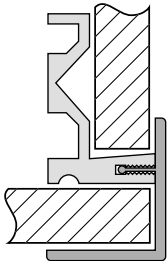
- Always used at the base of the Splashback installation
- Used at the top, when the top edge is concealed by wall cupboards
- Used on the vertical edges, if these **are concealed** by either a tall housing unit or running into a wall

## 2 Finishing trim -



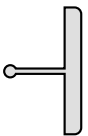
- Used at the top of the Splashback installation when the Wall fixing channel is visible
- Used on the vertical edges, if these **are NOT concealed** but **not** on an external corner (see separate External Corner finishing trim)

## 3 External Corner trim -



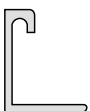
- Used when two Splashback panels meet at 90 degrees
- Can also be used to create a window reveal detail

## 4 Jointing trim -

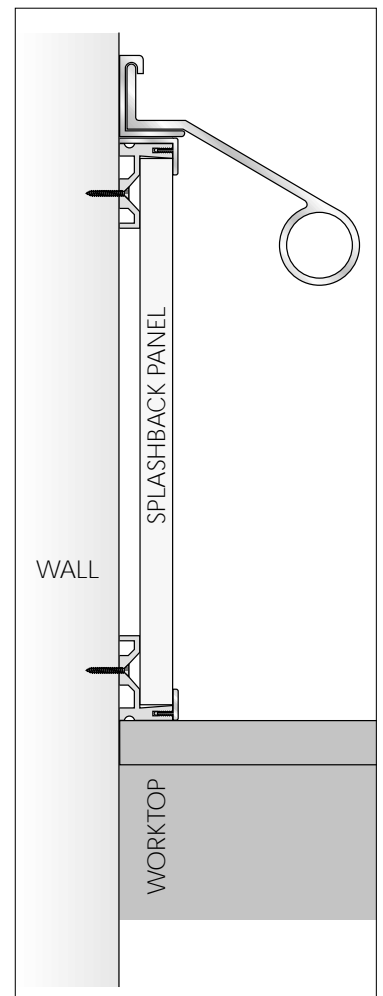


- Used to join panels both vertically or horizontally

## 5 Hanging Rail section-



- This section can be installed with **either** the Universal trim or finishing trim dependant on your chosen installation.
- Can only be used in conjunction with Bushboard's Hanging Rail kit - which includes brackets and rail components to hang accessories or utensils.



# WHAT DO I NEED?

- Determine your panel layout using the drawings opposite.
- The Wall Fixing Channel is included with the panel pack.
- The Universal trim **will always** be used at the base of the installation.
- Determine where Hanging rail is to be installed and number of Hanging Rail kits you require

Measure round the exterior of the panel allowing for any corner or window details, to determine the amount required of each trim. Trims and Hanging Rail are available in 3030mm lengths.

# FITTING INSTRUCTIONS

As each kitchen configuration is unique the following is intended as a guide only, therefore planning is essential to ensure a professional looking installation.

N.B. **Before commencing installation you must determine if the Wall Fixing Channels supplied with the Splashback panel are seen.**

**If they are to be covered with either the Finishing Trim or External Corner Trim, allowances will have to be made for these.**

When using the Hanging rail section a space of 20mm (minimum) above the top of the Splashback installation and the underside of any units.

If the wall is uneven the panel may have to be 'packed' out; foam strips are supplied with the panel for this purpose.

## **STRAIGHT RUN** (See drawing)

### WALL FIXING

- 1) Fix **top** Wall Fixing Channel along the whole length of area to be covered (Wall fixings not included)
- 2) Fix **vertical** Wall Fixing Channel to both ends from base of previously installed top Wall Fixing Channel, ensuring these are vertical, down to the worktop.
- 3) Before fixing the **bottom** Wall Fixing Channel against worktop between installed verticals, we recommend you run a bead of silicone under this section to seal it to the worktop to prevent moisture penetration.

### PANEL FIX

- 1) Cut panel to fit snugly against the inner gripper faces of the Wall Fixing Channels.
- 2) Before installing seal all edges of Splashback panel with either silicon, varnish or waterproof PVA.

### TRIM FIXING

- 1) Cut your chosen top aluminium trim to match the length of the top Wall Fixing Channel.
- 2) Cut your chosen **vertical** aluminium trims to match the height of the complete installation allowing for any additional height increase if using finishing trim.
- 3) Push fit these two trims into the Wall Fixing Channels to hold the panel.
- 4) Cut the **bottom** universal trim to suit the dimension between the installed vertical trims and push fit into place. A bead of clear silicon applied before pushing home will help ensure a watertight seal.

## **INTERNAL CORNER** (See drawing)

- 1) Fix the first panel following the **straight run** instructions omitting the vertical aluminium trim at the internal corner. **Do not** cut or fit the bottom Universal Trim at this stage.
- 2) Fix the second panel following the **straight run** instructions using Universal Trim within the vertical internal corner. The Wall Fixing Channel and Universal Trim within the internal corner will retain the first panel.
- 3) Finally cut both **bottom** Universal Trims to suit and fit.

## EXTERNAL CORNER (See drawing)

- 1) Install the first panel following the **straight run** instructions, ensuring that the **vertical** Wall Fixing Channel at the external corner overhangs the wall by 5mm. The **top** Wall Fixing Channel should not protrude past the external corner. The chosen top aluminium tray may need mitring if seen. **Do not** cut or fit the Universal Trim or external aluminium corner trim at this stage.
- 2) Install the second panel following the **straight run** instructions, omitting the **vertical** Wall Fixing Channel where it meets the panel already installed. It may be necessary to replace this with foam strips supplied to ensure a snug panel fit. The **top** Wall Fixing Channel should not protrude past the external corner. The chosen **top** aluminium trim may need mitring if seen. Cut the panel flush with the end of the Wall Fixing Channel already in place at the external corner.
- 3) Cut the external corner trim to fit between the bottom of the **top** aluminium trim and worktop, and fix in place.
- 4) Finally, cut both bottom Universal Trims to size and fit.

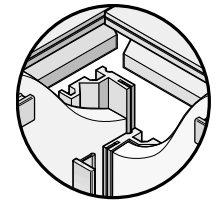
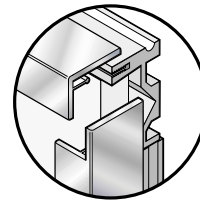
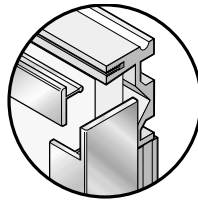
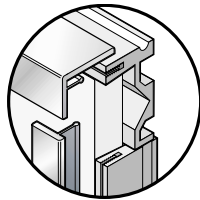
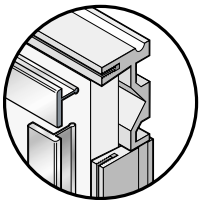
## HOB PANEL STYLE 1 (See drawing) - Assumes wall units either side of the hob area below an extractor.

- 1) Fix the centre panel below the extractor following the **straight run** instructions using Universal Trims on both vertical sides.
- 2) Fix the panels on either side following the **straight run** instructions using Universal Trims on both vertical sides adjacent to the centre panel.

## HOB PANEL STYLE 2 (See drawing) - Assumes wall units either side of the hob area below an extractor.

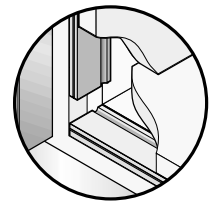
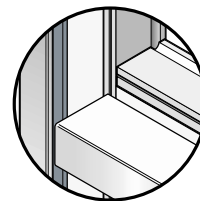
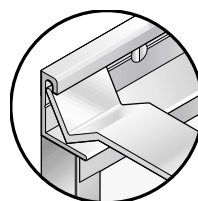
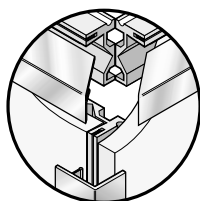
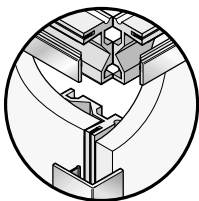
- 1) Fix the lower panel following the **straight run** instructions. This would normally run directly below the wall units.
- 2) Fix the upper panel following the **straight run** instructions. This should complete the area between the wall units below the extractor, using Universal Trim on all four sides.

# SUGGESTED FINISHING OPTIONS



TYPICAL JOINTING CONFIGURATIONS

INTERNAL CORNER



EXTERNAL CORNER

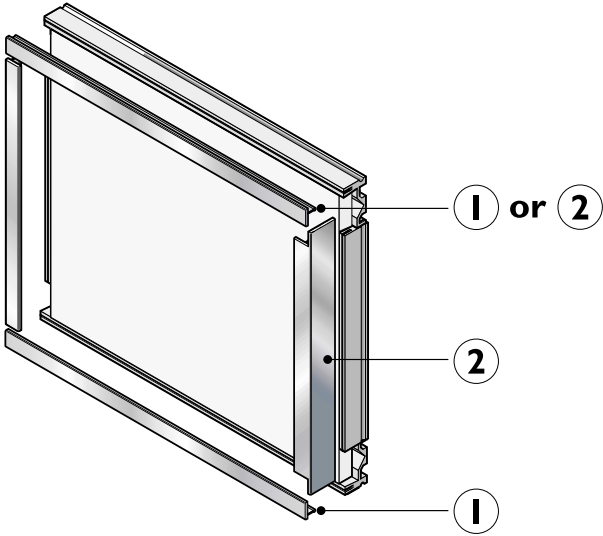
HANGING RAIL

HOB PANEL

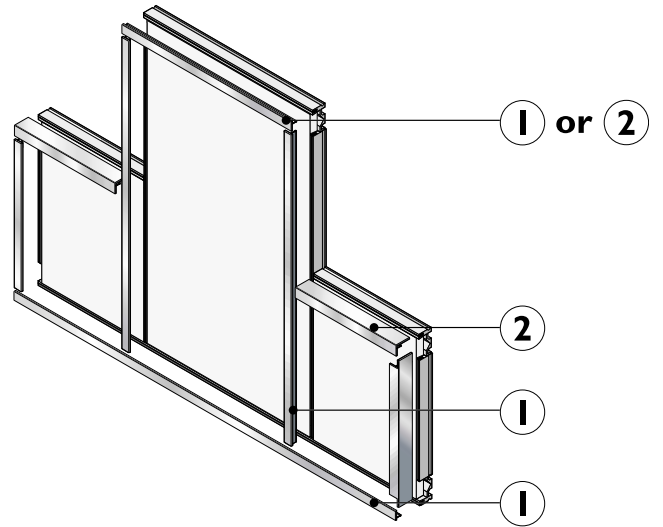
WINDOW REVEAL

# TYPICAL LAYOUTS

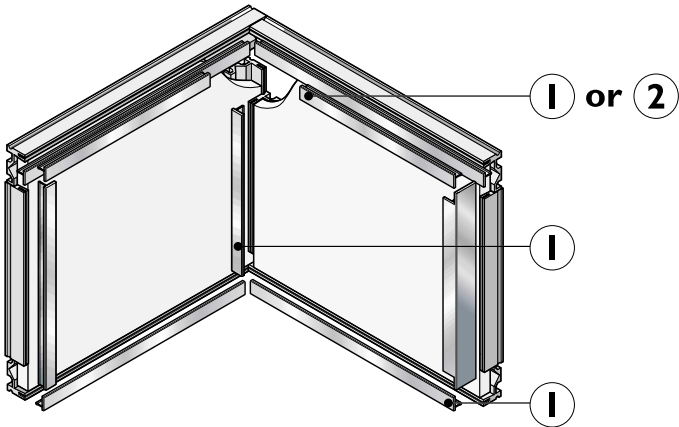
STRAIGHT RUN



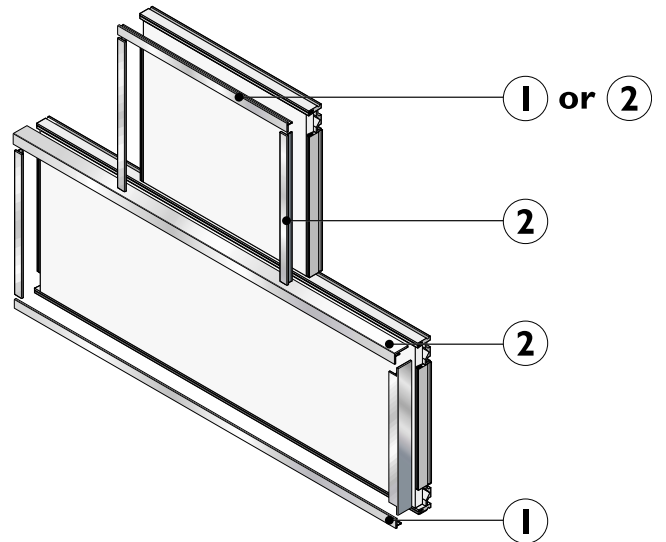
HOB PANEL TYPE 1



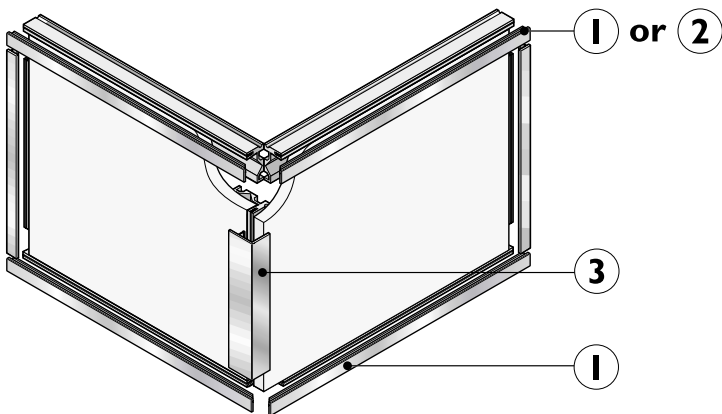
INTERNAL CORNER



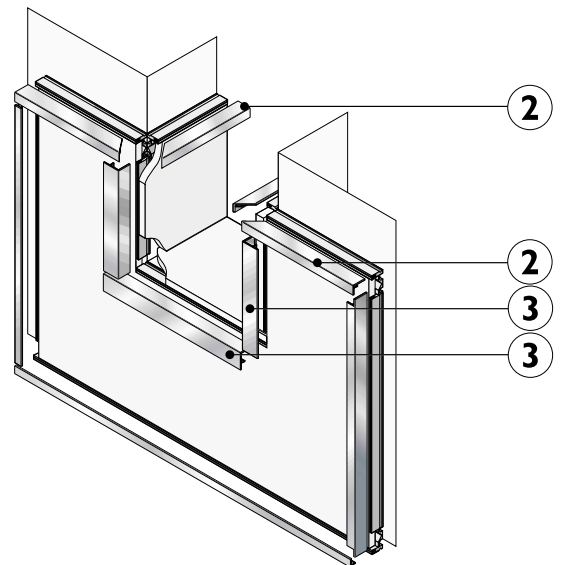
HOB PANEL TYPE 2



EXTERNAL CORNER



WINDOW REVEAL





## Bushboard Ltd

Rixon Road, Finedon Road Industrial Estate,  
Wellingborough, Northants, NN8 4BA

Telephone: 01933 232 242

Facsimile: 01933 232 286

email: [worktopsamples@bushboard.co.uk](mailto:worktopsamples@bushboard.co.uk)

**BB**  
**BUSHBOARD**